

# SB 2.3-12

## (12V 2.3Ah)

VdS: G111033

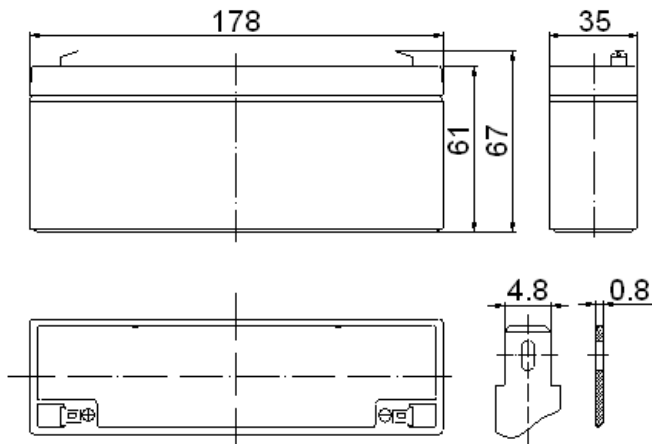
General Purpose battery with 6-9 years design life (EUROBAT)

Status: 01-2014

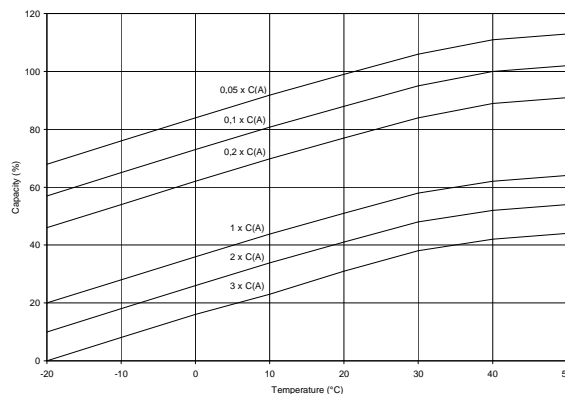
### Specifications

Nominal Voltage		12V
Capacity (20hr@25°C@1.75V/C)		2.3Ah
Dimensions	Length	178mm (7.01inch)
	Width	35mm (1.38inch)
	Height	61mm (2.40inch)
	Total Height	67mm (2.64inch)
Approx. Weight		0.99kg (2.18lbs)
Maximum charging current		0.92A
Maximum discharge current		34.5A (5sec.)
Internal resistance (Fully charged, 25°C)		Approx. 60mΩ
Capacity affected by temperature (20hr)	40°C	102%
	25°C	100%
	0°C	85%
	-15°C	65%
Self-discharge (25°C)	3 month	Remaining Capacity: 91%
	6 month	Remaining Capacity: 82%
	12 month	Remaining Capacity: 65%
Nominal operating temperature		25°C (77°F)
Operating temperature range		-15°C ~ 50°C (5°F ~ 122°F)
Float charging voltage (25°C)		13.65 to 13.80V
Cyclic charging voltage (25°C)		14.50 to 14.90V
Absorbent glass mat technology		
ABS (UL94-HB) container		<b>Recognized by UL &amp; CE</b>

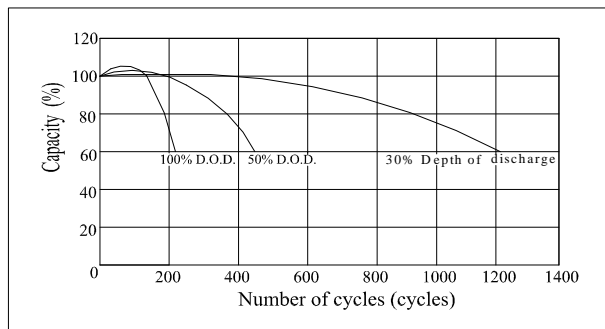
### Dimensions



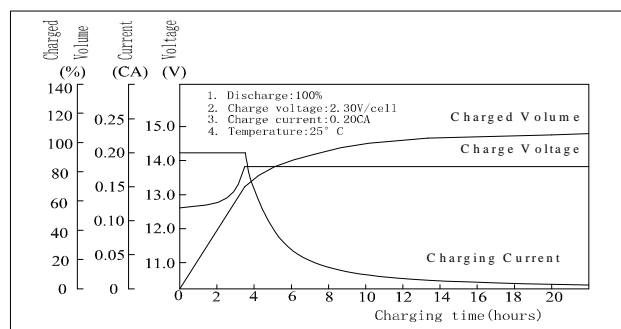
### Temperature Effects in Relation to Battery Capacity



### Cycle Life (25°C)



### Charging Characteristics (25°C)



### Constant Current Discharge Characteristics (Ampere @ 25°C)

F.V/TIME	10min	15min	30min	1h	3h	5h	10h	20h
9.60V	5,70	4,40	2,50	1,46	0,59	0,41	0,22	0,12
10.2V	5,23	4,13	2,29	1,29	0,45	0,39	0,21	0,12
10.8V	4,72	3,82	2,02	1,08	0,45	0,34	0,18	0,103

### Constant Power Discharge Characteristics (Watt per cell @ 25°C)

F.V/TIME	10min	15min	30min	45min	1h	2h	3h	5h
9.60V	11,0	8,50	4,83	3,50	2,78	1,54	1,08	0,75
10.2V	10,0	7,86	4,28	3,25	2,28	1,35	0,98	0,73
10.8V	8,94	7,24	3,74	3,00	1,86	1,02	0,84	0,62

All mentioned values are average values.