

# SBL 150-12i

## (12V 150Ah)

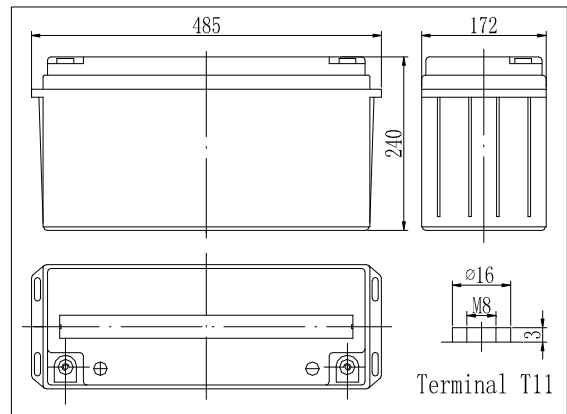
High Performance battery with 10-12 years design life (EUROBAT)

Status: 01-2014

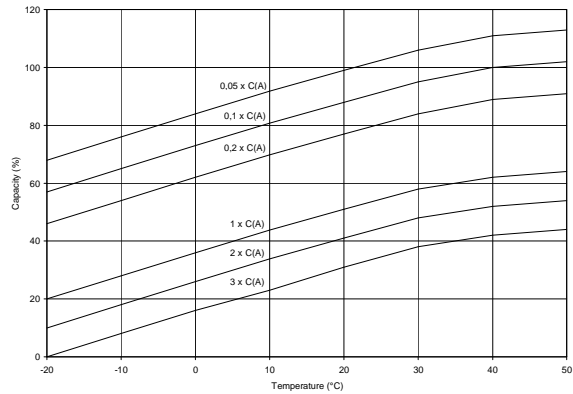
### Specifications

Nominal Voltage		12V
Capacity (10hr@25°C@1.75V/C)		156.8Ah
Dimensions	Length	485mm (19.09inch)
	Width	172mm (6.77inch)
	Height	240mm (9.45inch)
	Total Height	240mm (9.45inch)
Approx. Weight		44.5kg (98.1lbs)
Maximum charging current		45A
Maximum discharge current		1200A (5sec.)
Internal resistance (Fully charged, 25°C)		Approx. 3.5mΩ
Capacity affected by temperature (10hr)	40°C	102%
	25°C	100%
	0°C	85%
	-15°C	65%
Self-discharge (25°C)	3 month	Remaining Capacity: 91%
	6 month	Remaining Capacity: 82%
	12 month	Remaining Capacity: 65%
Nominal operating temperature		25°C (77°F)
Operating temperature range		-15°C ~ 50°C (5°F ~ 122°F)
Float charging voltage (25°C)		13.65 to 13.80V
Cyclic charging voltage (25°C)		14.50 to 14.90V
Absorbent glass mat technology		
ABS (UL94-HB) container		<b>Recognized by UL &amp; CE</b>

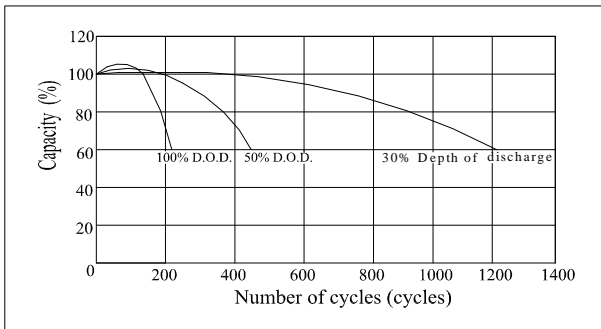
### Dimensions



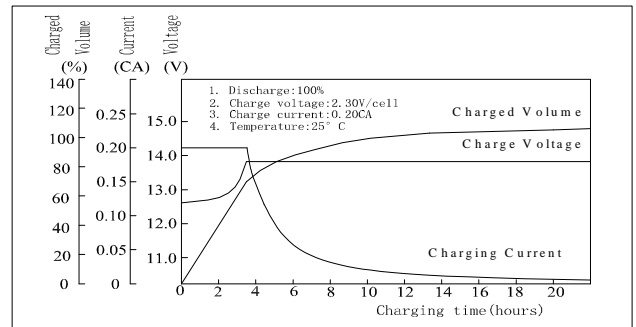
### Temperature Effects in Relation to Battery Capacity



### Cycle Life (25°C)



### Charging Characteristics (25°C)



### Constant Current Discharge Characteristics (Ampere per Battery, 25°C)

F.V./TIME	10min	15min	30min	1h	2h	3h	4h	5h	8h	10h	20h
9.60V	380,33	276,74	170,19	94,03	55,31	39,73	33,39	27,33	19,17	16,31	8,62
9.90V	368,55	267,37	166,18	93,35	54,02	38,97	32,61	26,30	19,12	16,14	8,46
10.2V	356,77	257,99	162,17	92,67	52,72	38,21	31,84	25,27	19,07	15,97	8,29
10.5V	334,84	244,21	160,34	92,80	52,87	38,00	31,69	25,36	18,61	15,68	8,05
10.8V	304,55	224,33	154,50	90,62	51,70	36,84	30,75	24,81	17,68	15,00	7,61

### Constant Power Discharge Characteristics (Watt per Battery, 25°C)

F.V./TIME	10min	15min	30min	1h	2h	3h	4h	5h	8h	10h	20h
9.60V	3715,19	2758,10	1864,26	1046,01	621,61	449,14	378,81	310,89	218,62	186,30	98,58
9.90V	3618,69	2678,40	1829,81	1043,95	610,25	442,81	371,94	300,70	219,20	185,30	97,20
10.2V	3522,18	2598,69	1795,35	1041,89	598,88	436,48	365,06	290,51	219,79	184,29	95,82
10.5V	3400,93	2531,42	1755,65	1047,44	602,87	435,77	364,76	292,63	215,27	181,68	93,36
10.8V	3194,66	2400,86	1672,06	1026,80	591,79	424,17	355,34	287,44	205,36	174,53	88,57

All mentioned values are average values.