

SBL 200-12i

(12V 200Ah)

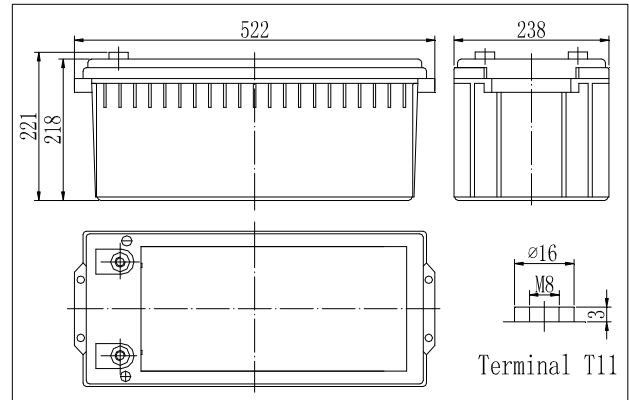
High Performance battery with 10-12 years design life (EUROBAT)

Status: 01-2014

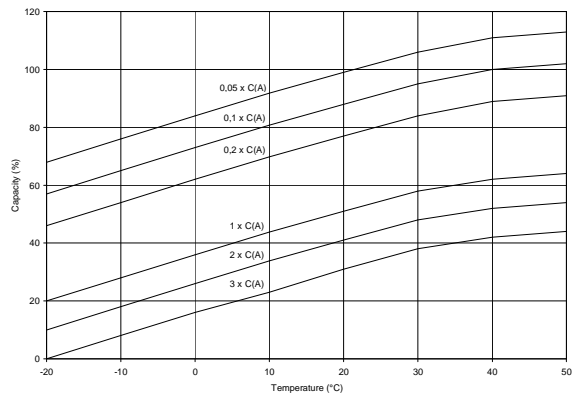
Specifications

Nominal Voltage		12V
Capacity (10hr@25°C@1.75V/C)		209Ah
Dimensions	Length	522mm (20.55inch)
	Width	238mm (9.37inch)
	Height	218mm (8.58inch)
	Total Height	221mm (8.70inch)
Approx. Weight		60 kg (132.28 lbs)
Maximum charging current		67.5A
Maximum discharge current		1600A (5sec.)
Internal resistance (Fully charged, 25°C)		Approx. 2.8mΩ
Capacity affected by temperature (10hr)	40°C	102%
	25°C	100%
	0°C	85%
	-15°C	65%
Self-discharge (25°C)	3 month	Remaining Capacity: 91%
	6 month	Remaining Capacity: 82%
	12 month	Remaining Capacity: 65%
Nominal operating temperature		25°C (77°F)
Operating temperature range		-15°C ~ 50°C (5°F ~ 122°F)
Float charging voltage (25°C)		13.65 to 13.80V
Cyclic charging voltage (25°C)		14.50 to 14.90V
Absorbent glass mat technology		
ABS (UL94-HB) container		Recognized by UL & CE

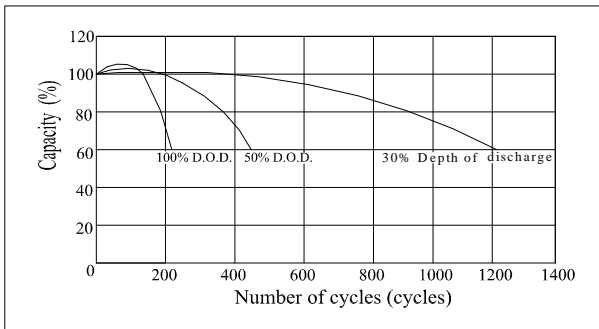
Dimensions



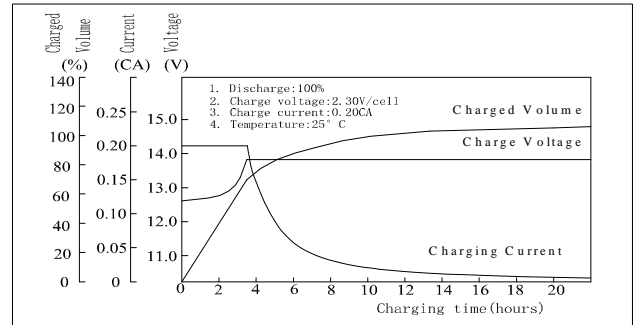
Temperature Effects in Relation to Battery Capacity



Cycle Life (25°C)



Charging Characteristics (25°C)



Constant Current Discharge Characteristics (Ampere per Battery, 25°C)

F.V./TIME	10min	15min	30min	1h	2h	3h	4h	5h	8h	10h	20h
9.60V	507,35	369,16	227,03	125,43	73,78	53,00	44,54	36,46	25,57	21,76	11,50
9.90V	491,39	356,48	221,56	124,46	72,02	51,96	43,48	35,06	25,49	21,52	11,28
10.2V	475,42	343,80	216,10	123,49	70,26	50,91	42,43	33,67	25,41	21,28	11,05
10.5V	446,26	325,47	213,69	123,69	70,47	50,64	42,24	33,79	24,80	20,90	10,73
10.8V	405,94	299,01	205,94	120,79	68,91	49,11	40,99	33,07	23,56	20,00	10,14

Constant Power Discharge Characteristics (Watt per Battery, 25°C)

F.V./TIME	10min	15min	30min	1h	2h	3h	4h	5h	8h	10h	20h
9.60V	4955,99	3679,25	2486,89	1395,36	829,22	599,15	505,33	414,73	291,63	248,52	131,50
9.90V	4824,79	3571,11	2439,67	1391,88	813,64	590,39	495,90	400,93	292,26	247,05	129,60
10.2V	4693,59	3462,96	2392,45	1388,40	798,05	581,64	486,48	387,12	292,89	245,58	127,69
10.5V	4532,58	3373,74	2339,84	1395,98	803,48	580,78	486,14	390,01	286,90	242,13	124,43
10.8V	4258,25	3200,18	2228,74	1368,65	788,82	565,39	473,65	383,14	273,73	232,63	118,05

All mentioned values are average values.