

# SBL 80-12i (12V 80Ah)

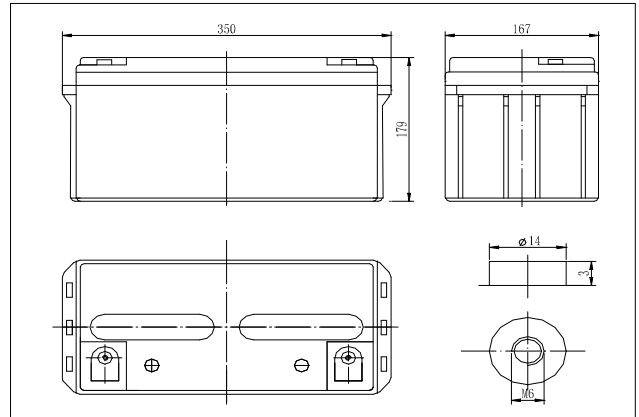
High Performance battery with 10-12 years design life (EUROBAT)

Status: 01-2014

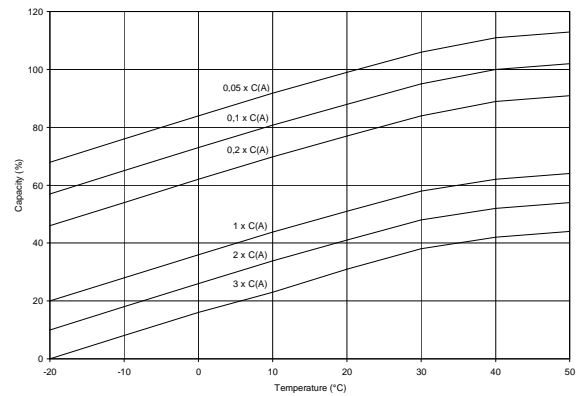
## Specifications

Nominal Voltage		12V
Capacity (10hr@25°C@1.75V/C)		83.7Ah
Dimensions	Length	350mm (13.78inch)
	Width	167mm (6.57inch)
	Height	179mm (7.05inch)
	Total Height	179mm (7.05inch)
Approx. Weight		24kg (52.91lbs)
Maximum charging current		24A
Maximum discharge current		800A (5sec.)
Internal resistance (Fully charged, 25°C)		Approx. 5.4mΩ
Capacity affected by temperature (10hr)	40°C	102%
	25°C	100%
	0°C	85%
	-15°C	65%
Self-discharge (25°C)	3 month	Remaining Capacity: 91%
	6 month	Remaining Capacity: 82%
	12 month	Remaining Capacity: 65%
Nominal operating temperature		25°C (77°F)
Operating temperature range		-15°C ~ 50°C (5°F ~ 122°F)
Float charging voltage (25°C)		13.65 to 13.80V
Cyclic charging voltage (25°C)		14.50 to 14.90V
Absorbent glass mat technology		
ABS (UL94-HB) container		<b>Recognized by UL &amp; CE</b>

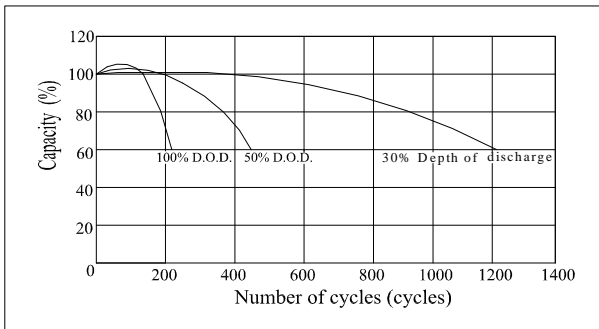
## Dimensions



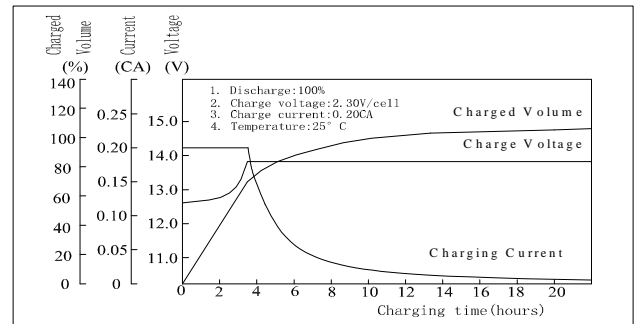
## Temperature Effects in Relation to Battery Capacity



## Cycle Life (25°C)



## Charging Characteristics (25°C)



## Constant Current Discharge Characteristics (Ampere per Battery, 25°C)

F.V./TIME	10min	15min	30min	1h	2h	3h	4h	5h	8h	10h	20h
9.60V	203,09	147,77	90,88	50,21	29,53	21,22	17,83	14,59	10,24	8,71	4,60
9.90V	196,88	142,83	88,77	49,87	28,86	20,82	17,42	14,05	10,21	8,62	4,52
10.2V	190,67	137,88	86,67	49,52	28,18	20,42	17,02	13,50	10,19	8,53	4,43
10.5V	178,79	130,40	85,61	49,55	28,23	20,29	16,92	13,54	9,93	8,37	4,30
10.8V	162,45	119,66	82,41	48,34	27,58	19,65	16,40	13,23	9,43	8,00	4,06

## Constant Power Discharge Characteristics (Watt per Battery, 25°C)

F.V./TIME	10min	15min	30min	1h	2h	3h	4h	5h	8h	10h	20h
9.60V	1983,84	1472,77	995,48	558,55	331,93	239,83	202,28	166,01	116,74	99,48	52,64
9.90V	1933,10	1430,79	977,49	557,68	325,99	236,55	198,69	160,63	117,10	98,99	51,92
10.2V	1882,36	1388,82	959,49	556,82	320,06	233,27	195,10	155,26	117,46	98,49	51,21
10.5V	1815,91	1351,63	937,41	559,25	321,89	232,67	194,76	156,24	114,94	97,01	49,85
10.8V	1704,07	1280,65	891,90	547,71	315,67	226,26	189,55	153,33	109,54	93,09	47,24

All mentioned values are average values.