

SBV 1.2-12

(12V 1.2Ah)

VdS: G 108003

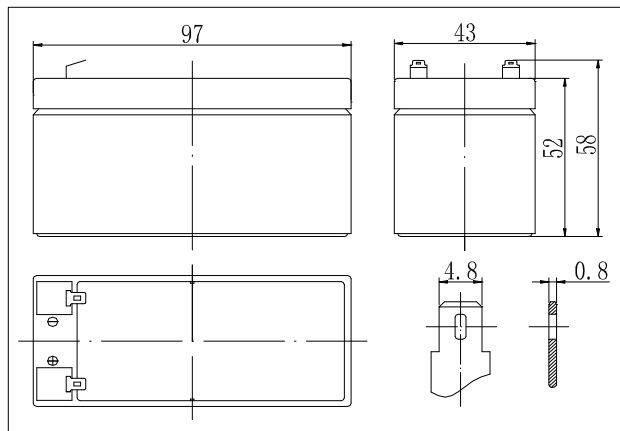
General Purpose battery with 6-9 years design life (EUROBAT)

Status: 05-2014

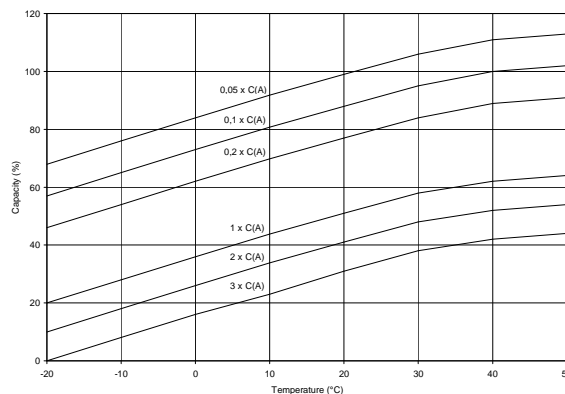
Specifications

Nominal Voltage		12V
Capacity (20hr@25°C@1.75V/C)		1.2Ah
Dimensions	Length	97mm (3.82 inch)
	Width	43mm (1.69 inch)
	Height	52mm (2.05 inch)
	Total Height	58mm (2.28 inch)
Approx. Weight		0.61kg (1.35 lbs)
Maximum charging current		0.36 A
Maximum discharge current		18 A (5sec.)
Internal resistance (Fully charged, 25°C)		Approx. 95 mΩ
Capacity affected by temperature (10hr)	40°C	102%
	25°C	100%
	0°C	85%
	-15°C	65%
Self-discharge (25°C)	3 month	Remaining Capacity: 91%
	6 month	Remaining Capacity: 82%
	12 month	Remaining Capacity: 65%
Nominal operating temperature		25°C ±3°C (77°F±5°F)
Operating temperature range		-15°C ~ 50°C (5°F ~ 122°F)
Float charging voltage (25°C)		13.65 to 13.80V
Cyclic charging voltage (25°C)		14.50 to 14.90V
Absorbent glass mat technology		
ABS (UL94-HB) container		Recognized by UL & CE

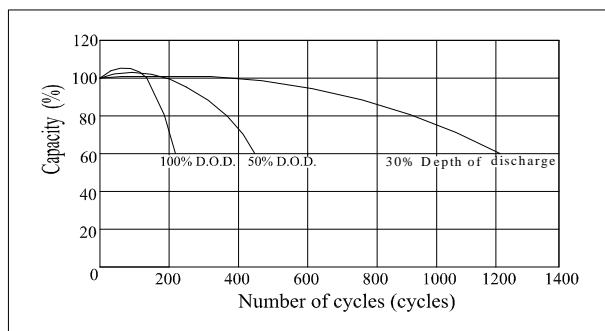
Dimensions



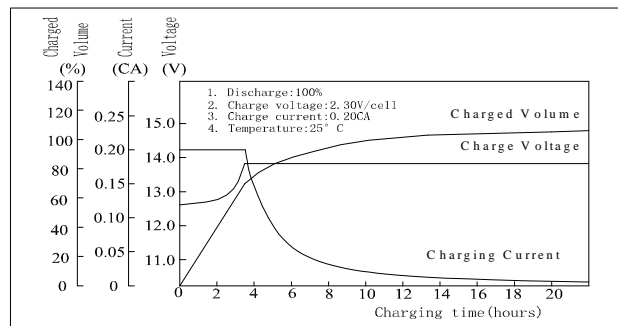
Temperature Effects in Relation to Battery Capacity



Cycle Life (25°C)



Charging Characteristics (25°C)



Constant Current Discharge Characteristics (Ampere, 25°C)

F.V/TIME	5min	10min	15min	30min	1h	3h	5h	10h	20h
9.60V	5.00	3.20	2.50	1.45	0.82	0.33	0.22	0.12	0.06
10,2V	4.75	3.04	2.40	1.39	0.79	0.33	0.22	0.12	0.06
10,5V	4.47	2.86	2.28	1.32	0.75	0.32	0.21	0.12	0.06

Constant Power Discharge Characteristics (Watt per cell, 25°C)

F.V/TIME	5min	10min	15min	30min	1h	3h	5h	10h	20h
9.60V	55.8	36.1	28.5	16.6	9.50	3.92	2.63	1.44	0.72
10,2V	53.0	34.3	27.4	15.9	9.15	3.92	2.63	1.44	0.72
10,5V	49.9	32.3	26.0	15.1	8.69	3.90	2.51	1.44	0.72

All mentioned values are average values.