

SBV 18-12i

(12V 18Ah)

VdS: G 108006

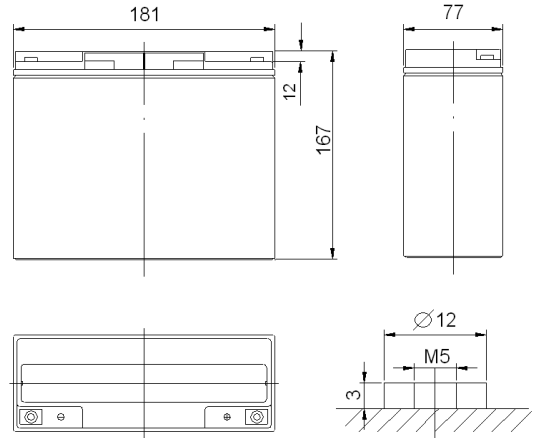
General Purpose battery with 10 - 12 years design life (EUROBAT)

Status: 06-2014

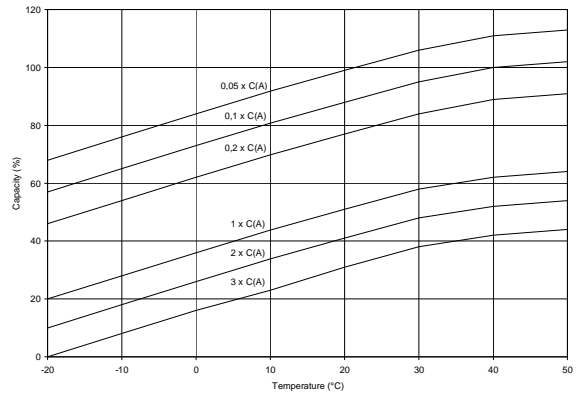
Specifications

| | | |
|---|--------------|----------------------------------|
| Nominal Voltage | | 12V |
| Capacity (20hr@25°C@1.75V/C) | | 18Ah |
| Dimensions | Length | 181mm (7.13 inch) |
| | Width | 77mm (3.03 inch) |
| | Height | 167mm (6.57 inch) |
| | Total Height | 167mm (6.57 inch) |
| Approx. Weight | | 5.5kg (12.1 lbs) |
| Maximum charging current | | 5.4 A |
| Maximum discharge current | | 270A (5sec.) |
| Internal resistance (Fully charged, 25°C) | | Approx. 17 mΩ |
| Capacity affected by temperature (10hr) | 40°C | 102% |
| | 25°C | 100% |
| | 0°C | 85% |
| | -15°C | 65% |
| Self-discharge (25°C) | 3 month | Remaining Capacity: 91% |
| | 6 month | Remaining Capacity: 82% |
| | 12 month | Remaining Capacity: 65% |
| Nominal operating temperature | | 25°C ±3°C (77°F±5°F) |
| Operating temperature range | | -15°C ~ 50°C (5°F ~ 122°F) |
| Float charging voltage (25°C) | | 13.65 to 13.80V |
| Cyclic charging voltage (25°C) | | 14.50 to 14.90V |
| Absorbent glass mat technology | | |
| ABS (UL94-HB) container | | Recognized by UL & CE |

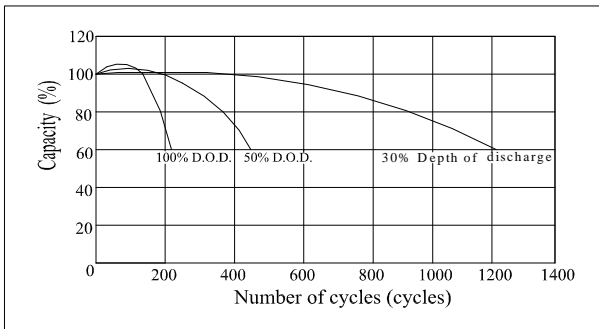
Dimensions



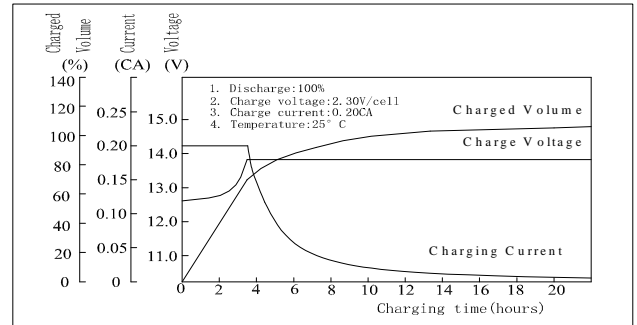
Temperature Effects in Relation to Battery Capacity



Cycle Life (25°C)



Charging Characteristics (25°C)



Constant Current Discharge Characteristics (Ampere per Battery, 25°C)

| F.V/TIME | 5min | 10min | 15min | 30min | 1h | 3h | 5h | 10h | 20h |
|----------|------|-------|-------|-------|------|------|------|------|------|
| 9.60V | 63.0 | 39.6 | 31.5 | 18.9 | 10.8 | 4.38 | 2.92 | 1.64 | 0.91 |
| 10.2V | 59.9 | 37.6 | 30.2 | 18.1 | 10.4 | 4.32 | 2.88 | 1.63 | 0.91 |
| 10.8V | 56.3 | 35.4 | 28.7 | 17.2 | 9.85 | 4.23 | 2.82 | 1.62 | 0.90 |

Constant Power Discharge Characteristics (Watt per Battery, 25°C)

| F.V/TIME | 5min | 10min | 15min | 30min | 1h | 3h | 5h | 10h | 20h |
|----------|------|-------|-------|-------|-----|------|------|------|------|
| 9.60V | 703 | 447 | 359 | 217 | 125 | 52.1 | 34.9 | 19.7 | 11.0 |
| 10.2V | 668 | 424 | 345 | 208 | 120 | 51.3 | 34.4 | 19.6 | 10.9 |
| 10.8V | 628 | 399 | 327 | 198 | 114 | 50.3 | 33.7 | 19.5 | 10.8 |

All mentioned values are average values.